



ELECTRONICS, INC.
44 FARRAND STREET
BLOOMFIELD, NJ 07003
(973) 748-5089
<http://www.nteinc.com>

69-DIM2 Knob Operated LED Dimmer for Single Color LED Strips



Description:

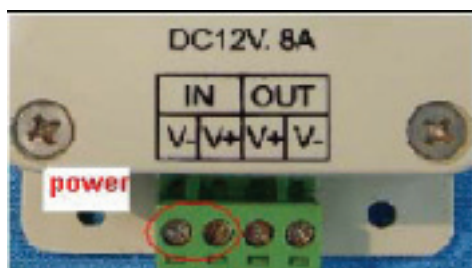
The 69-DIM2 knob operated dimmer is a controller that can adjust the brightness of single color LED strips infinitely. This device is operated by turning the knob to adjust the appropriate lighting brightness to suit your actual need.

Technical Parameters:

- Working Temperature: -4° to $+140^{\circ}\text{F}$ (-20° to $+60^{\circ}\text{C}$)
- Supply Voltage: 12VDC
- Output: 1 Channel
- Rated Load Current: less than 8A
- Static Power Consumption: less than 1W
- Output Power: 5V (less than 40W), 12V (less than 96W), 24V (less than 192W)
- Net Weight: 3oz. (85g)
- Gross Weight: 3.9oz. (110g)

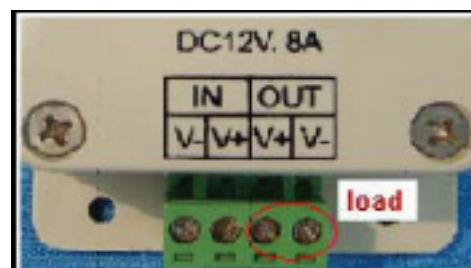
Interface Specifications:

Power Input Interface



Adopt male and female connector with screw.

Load Output Interface



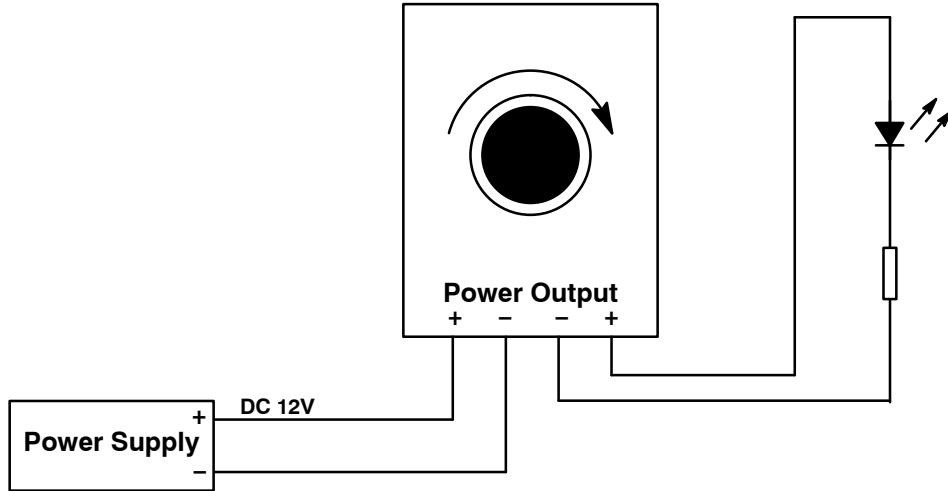
Adopt male and female connector with screw.



Instructions:

1. Connect the load wire first, followed by the power wire. Before powering up the device, be sure that the connections cannot cause a short circuit condition.
2. Adopt the rotary button as follows:
Rotate the knob clockwise to turn on and increase the brightness.
Rotate the knob counter-clockwise to make dimmer. Extreme right rotation turns off the device.

Typical Applications:



Dimensional Drawing:

