

# Miscellaneous Switches

## In-Line Switch



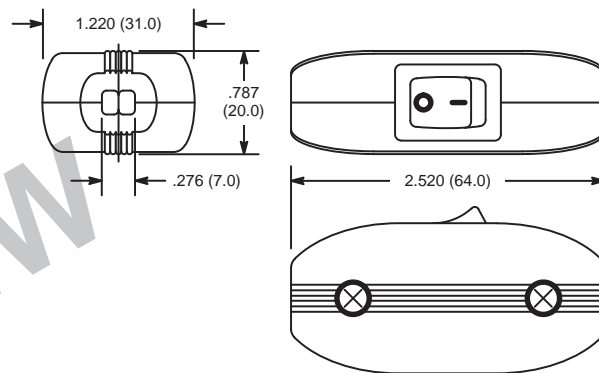
### Features

- For 16 AWG and 18 AWG Wire



NTE Type No.	Circuitry	Action			Actuator	Legend	Diag No.
54-743	SPST	ON	NONE	OFF	Nylon 66	Yes	S148

S148



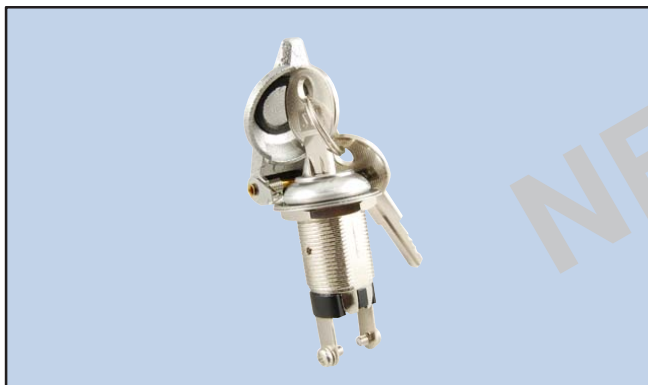
## Specifications

**Current Rating:** 10A 125VAC, 6A 250VAC  
**Insulation Resistance:** 100 Megohms (min.) at 500VDC  
**Dielectric Strength:** 1500V RMS (min.)  
**Temperature Rating:** -4° to +185°F (-20° to +85°C)  
**Electrical Life:** 6000 cycles  
**Mechanical Life:** 10000 cycles  
**Operation Force:** 450g  
**Terminal Type:** N/A  
**Mounting Hole:** N/A

## Key Switch

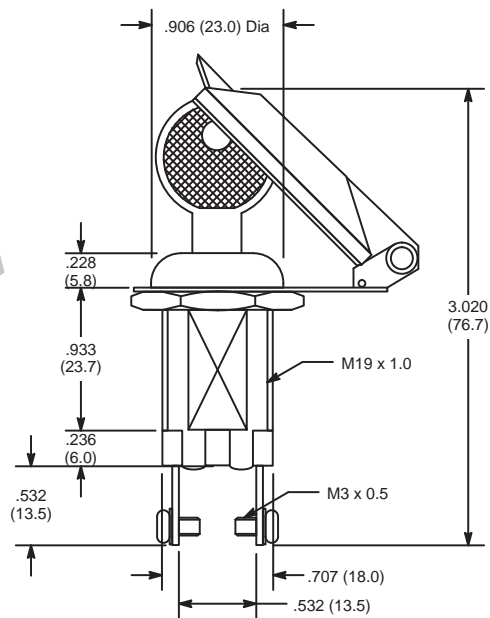
### Features

- Includes Cover



NTE Type No.	Circuitry	Action			Housing	Cover	Diag No.
54-741	SPST	ON	NONE	OFF	ZDC1	Yes	S149

S149



## Specifications

**Current Rating:** 3A 125VAC, 1.5A 250VAC  
**Insulation Resistance:** 100 Megohms (min.) at 500VDC  
**Dielectric Strength:** 1000V RMS (min.)  
**Temperature Rating:** -13° to +185°F (-25° to +85°C)  
**Electrical Life:** 6000 cycles  
**Mechanical Life:** 10000 cycles  
**Terminal Type:** Screw Type  
**Mounting Hole:** .756 (19.2)