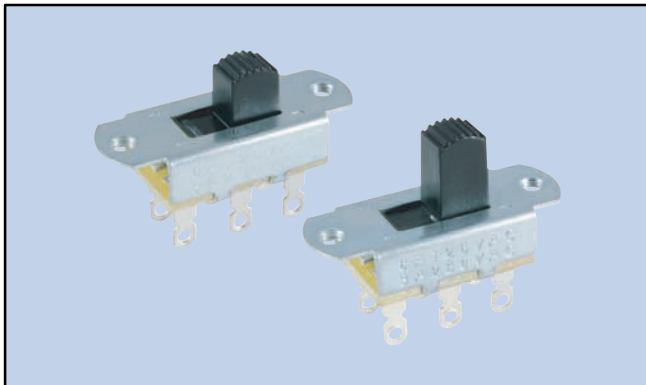


Slide Switches

Slide Switch, Two Circuit

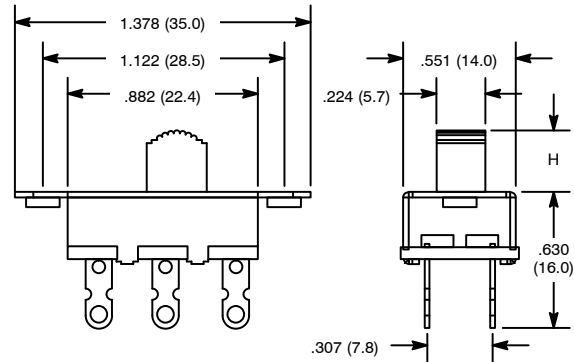
Features

- Sequence - Load 1 ON, Load 2 OFF; Load 2 OFF, Load 1 ON



NTE Type No.	Circuitry	Poles	Action		Actuator Height	Diag No.
54-667	DPDT	6 Pole	ON	OFF	.276 (7.0)	S123
54-668	DPDT	6 Pole	ON	OFF	.433 (11.0)	S123

S123

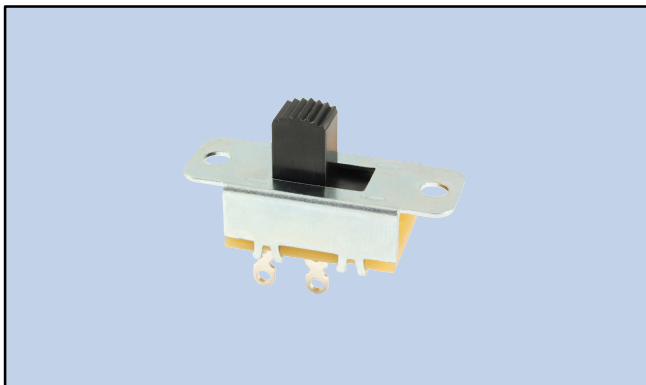


NTE Type No.	H
54-667	.276 (7.0)
54-668	.433 (11.0)

Specifications

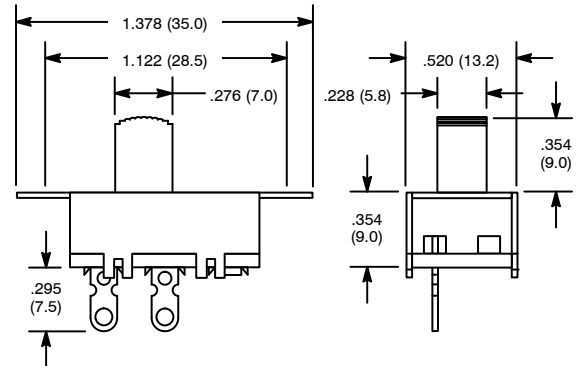
Current Rating: 0.5A 125V, 3A 250VAC, 6A 125 VAC
Insulation Resistance: 150 Megohms (min.)
Dielectric Strength: 1500V RMS (min.)
Temperature Resistance: +221°F (+105°C)
Temperature Rating: +32° to +185°F (+0° to +85°C)
Electrical Life: 6000 cycles (min.)
Mechanical Life: 6000 cycles (min.)
Terminal Type: Solder Lug
Mounting Hole: .551 (14.0) x .276 (7.0)

Slide Switch



NTE Type No.	Circuitry	Poles	Action		Actuator Height	Diag No.
54-719	SPST	2 Pole	ON	OFF	.354 (9.0)	S137

S137

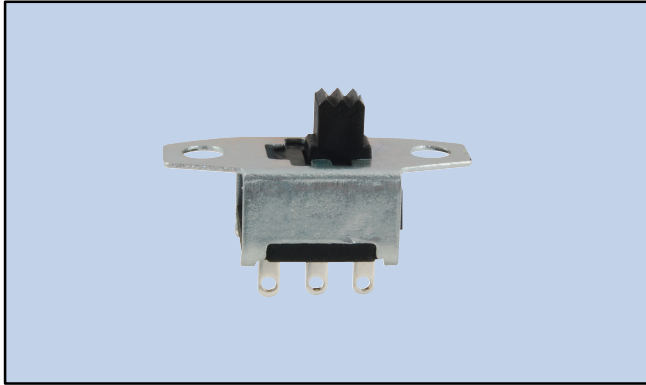


Specifications

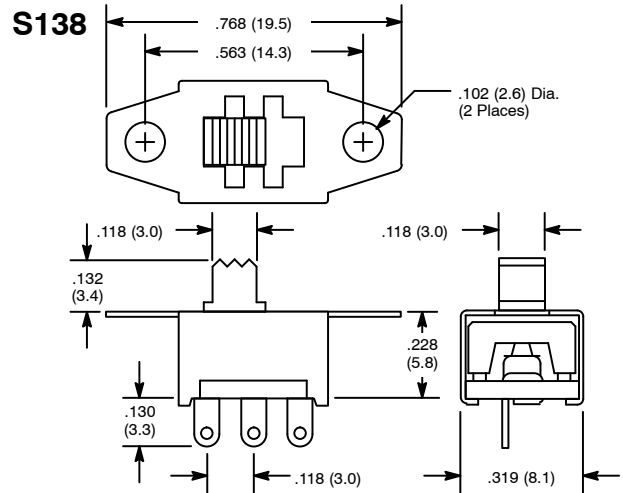
Current Rating: 6A 125VAC, 3A 250VAC
Insulation Resistance: 100 Megohms (min.) at 500VDC
Dielectric Strength: 1000V RMS (min.)
Temperature Rating: +32° to +149°F (+0° to +65°C)
Electrical Life: 6000 cycles
Mechanical Life: 10000 cycles
Terminal Type: Solder Lug
Mounting Hole: .512 (13.0) x .256 (6.5)

Slide Switches

Slide Switch



NTE Type No.	Circuitry	Poles	Action		Actuator Height	Diag No.
54-720	SPDT	3 Pole	ON	ON	.132 (3.4)	S138



Specifications

- Current Rating:** 3A 125VAC, 1.5A 250VAC
- Insulation Resistance:** 100 Megohms (min.) at 500VDC
- Dielectric Strength:** 1000V RMS (min.)
- Temperature Rating:** +32° to +149°F (+0° to +65°C)
- Electrical Life:** 6000 cycles
- Mechanical Life:** 10000 cycles
- Terminal Type:** Solder Lug
- Mounting Hole:** .236 (6.0) x .138 (3.5)